



WILO-Top Z

Commercial two speed wet rotor circulator with NSF/ANSI 61 approved lead-free bronze volute

Duty Charts

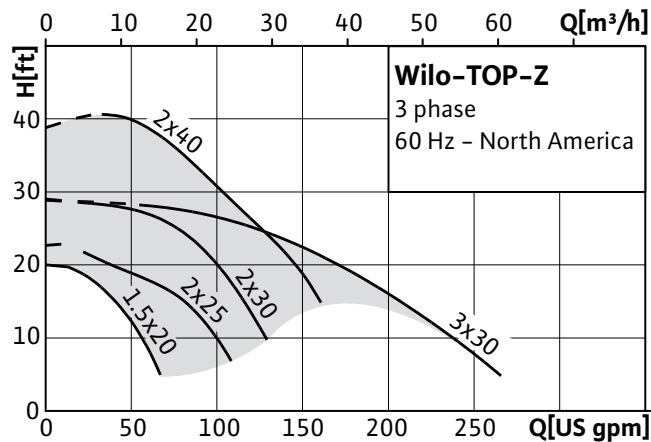
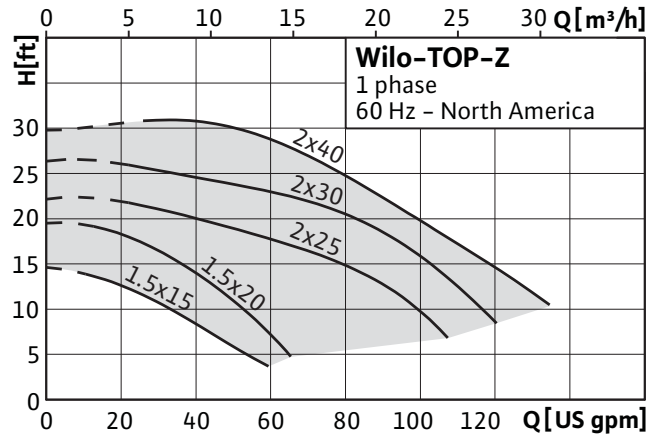


Table of Contents

Single Phase

Top Z 1.5x15	2
Top Z 1.5x20	4
Top Z 2x25	6
Top Z 2x30	8
Top Z 2x40	10

Three Phase

Top Z 1.5x20	12
Top Z 2x25	14
Top Z 2x30	16
Top Z 2x40	18
Top Z 3x30	20

Single-head pumps:

Seal-less circulator with flanged connection. Two speed, manually adjustable to match flow requirements

Applications:

Domestic hot water circulation systems, and related "open" systems (e.g. cooling water circulation)

Special features/product advantages:

Pre-selectable speed adjustment
Wet rotor, NSF approved type



WILO Top Z Submittal

Top Z 1.5x15 Single Phase

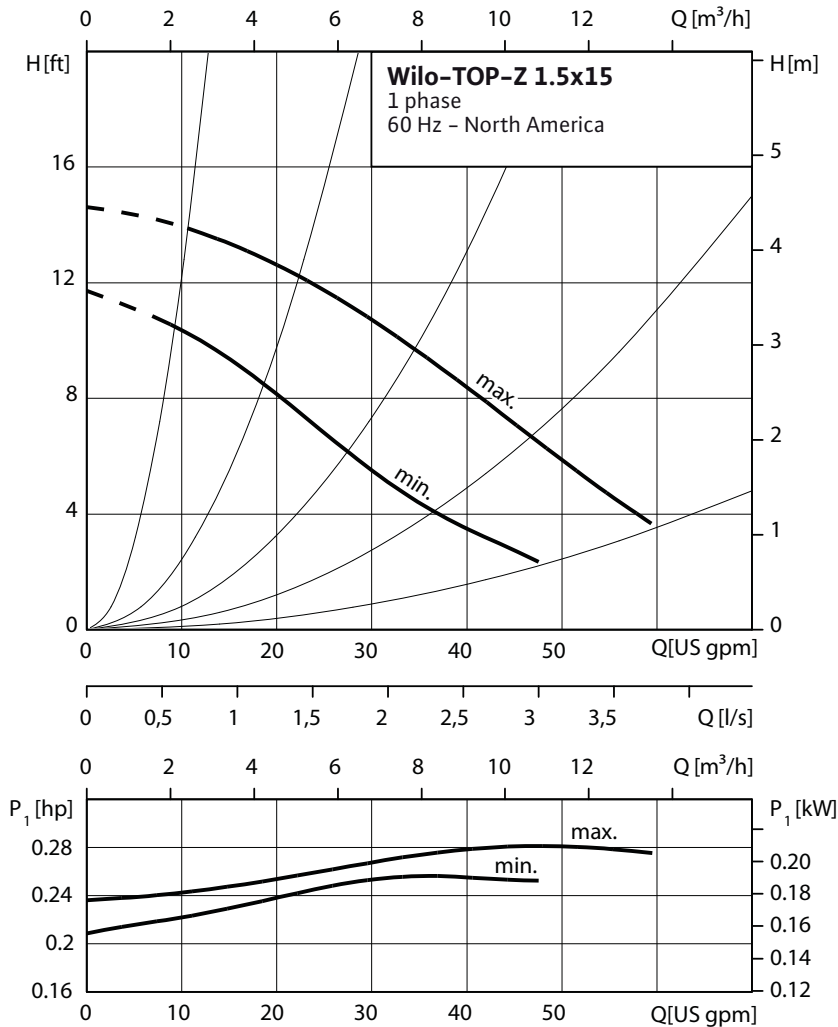


Pumpen Intelligenz.

Project:	
Engineer:	
Contractor:	
Submitted By:	Date:
Approved By:	Date:

Tag #	Model #	Flow	Head	Hp	Phase	Volt	Comments
	Top Z 1.5x15			1/8	1		

1~ (single phase motor)



Applications

- Closed System
Temp. Range: 14°F to 176°F (-10°C to 80°C)
- Open System
Temp. Range: 14°F to 140°F (-10°C to 60°C)
- Drinking Water
System Temp. Range: 32°F to 176°F (0°C to 80°C)
Ambient Temp: 32°F to 104°F (0°C to 40°C)
- Max Working Press: 145 PSI (10 Bar)
- Fluids: Domestic hot water for secondary and service water systems
Heating Water
Water/Glycol up to 50%

Materials of Construction

- Impeller: Plastic PPE (Noryl)
- Shaft: Stainless Steel (X39 CrMo17-1)
- Volute: Lead-free "eco-bronze"
- Bearing: Carbon (synthetic resin impregnated)



WILO USA LLC
1290 N 25th Ave
Melrose Park, IL 60160
Tel: (866) 945-6872
Fax: (708) 338-9455
www.WILO-USA.com

WILO Canada Inc.
Bay 7-2915 10th Ave. NE
Calgary, Alberta T2A 5L4
Tel: (866) 945-6236
Fax: (403) 277-9456
www.WILO-CANADA.com



WILO Top Z Submittal

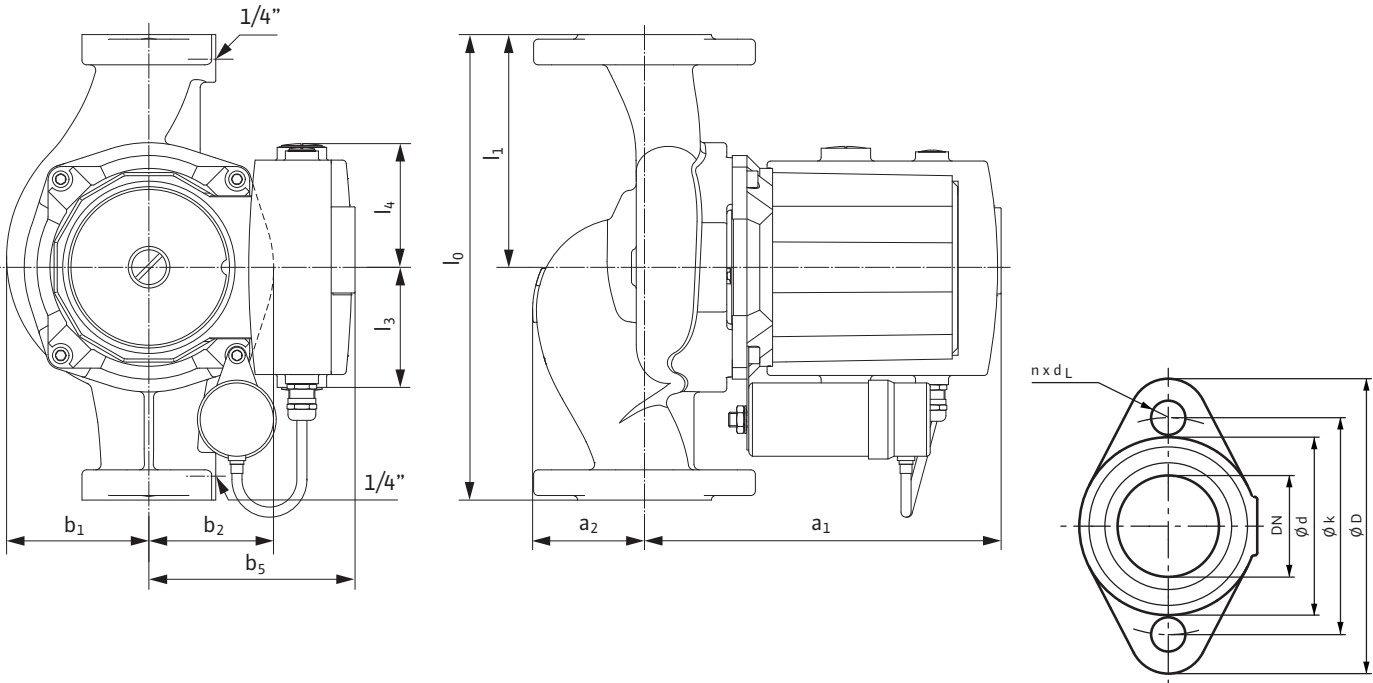
Top Z 1.5x15 Single Phase



Pumpen Intelligenz.

Dimensions, weights												
	Flange Diameter		Pump Dimensions									
	DN		l ₀		a ₁		a ₂		b ₁		b ₂	
	[inch]	[mm]	[inch]	[mm]	[inch]	[mm]	[inch]	[mm]	[inch]	[mm]	[inch]	[mm]
Top Z 1.5x15	1.5	40	8½	216	7 ^{11/16}	195	2 ^{1/16}	53	3¼	82	2 ^{5/16}	58

Dimensions, weights (continued)										
	Pump Dimensions								Weight approx. net	
	b ₅		l ₁		l ₃		l ₄		[lbs]	[kg]
	[inch]	[mm]	[inch]	[mm]	[inch]	[mm]	[inch]	[mm]		
Top Z 1.5x15	4 ^{7/16}	113	4¼	108	2¾	70	2¾	70	15.2	6.9



Motor Data					
	Speed	Rated Power	Power Consumption	Current 115V / 230V	
	[rpm]	[hp]	[W]	[A]	
Max Speed	3150	⅛	210	1.9	1.0
Min Speed	2850	⅛	190	1.8	0.9

Flange Dimensions					
Non ANSI (oval)	Nominal Diameter	Flange Dimensions			
	DN	Ø D	Ø d ₂	Ø k	n x d _L
Inch	1.5	4¾	2 ^{7/8}	3½	2 x ½
mm	40	121	73	89	2 x 14

WILO USA LLC
 1290 N 25th Ave
 Melrose Park, IL 60160
 Tel: (866) 945-6872
 Fax: (708) 338-9455
www.WILO-USA.com

WILO Canada Inc.
 Bay 7-2915 10th Ave. NE
 Calgary, Alberta T2A 5L4
 Tel: (866) 945-6236
 Fax: (403) 277-9456
www.WILO-CANADA.com



WILO Top Z Submittal

Top Z 1.5x20 Single Phase

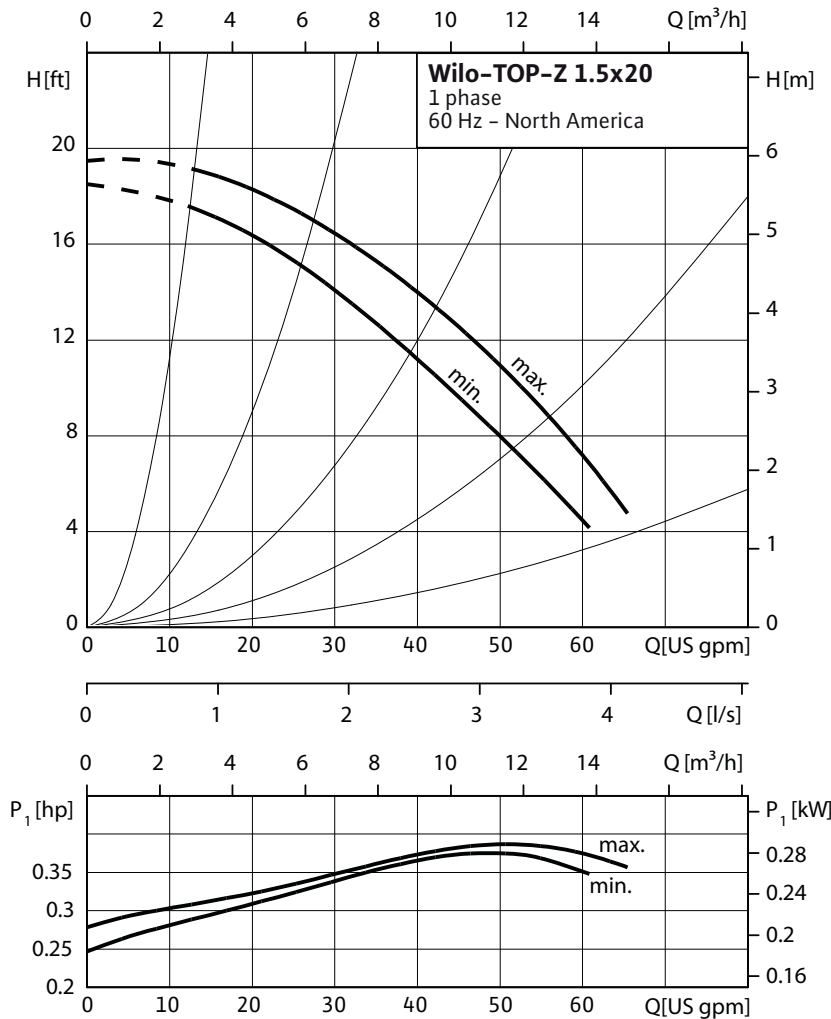


Pumpen Intelligenz.

Project:	
Engineer:	
Contractor:	
Submitted By:	Date:
Approved By:	Date:

Tag #	Model #	Flow	Head	Hp	Phase	Volt	Comments
	Top Z 1.5x20			1/4	1		

1~ (single phase motor)



Applications

- Closed System
Temp. Range: 14°F to 176°F (-10°C to 80°C)
- Open System
Temp. Range: 14°F to 140°F (-10°C to 60°C)
- Drinking Water
System Temp. Range: 32°F to 176°F (0°C to 80°C)
Ambient Temp: 32°F to 104°F (0°C to 40°C)
- Max Working Press: 145 PSI (10 Bar)
- Fluids: Domestic hot water for secondary and service water systems
Heating Water
Water/Glycol up to 50%

Materials of Construction

- Impeller: Plastics PPS-40% GF
- Shaft: Stainless Steel (X39 CrMo17-1)
- Volute: Lead-free "eco-bronze"
- Bearing: Carbon (synthetic resin impregnated)



WILO USA LLC
1290 N 25th Ave
Melrose Park, IL 60160
Tel: (866) 945-6872
Fax: (708) 338-9455
www.WILO-USA.com

WILO Canada Inc.
Bay 7-2915 10th Ave. NE
Calgary, Alberta T2A 5L4
Tel: (866) 945-6236
Fax: (403) 277-9456
www.WILO-CANADA.com



WILO Top Z Submittal

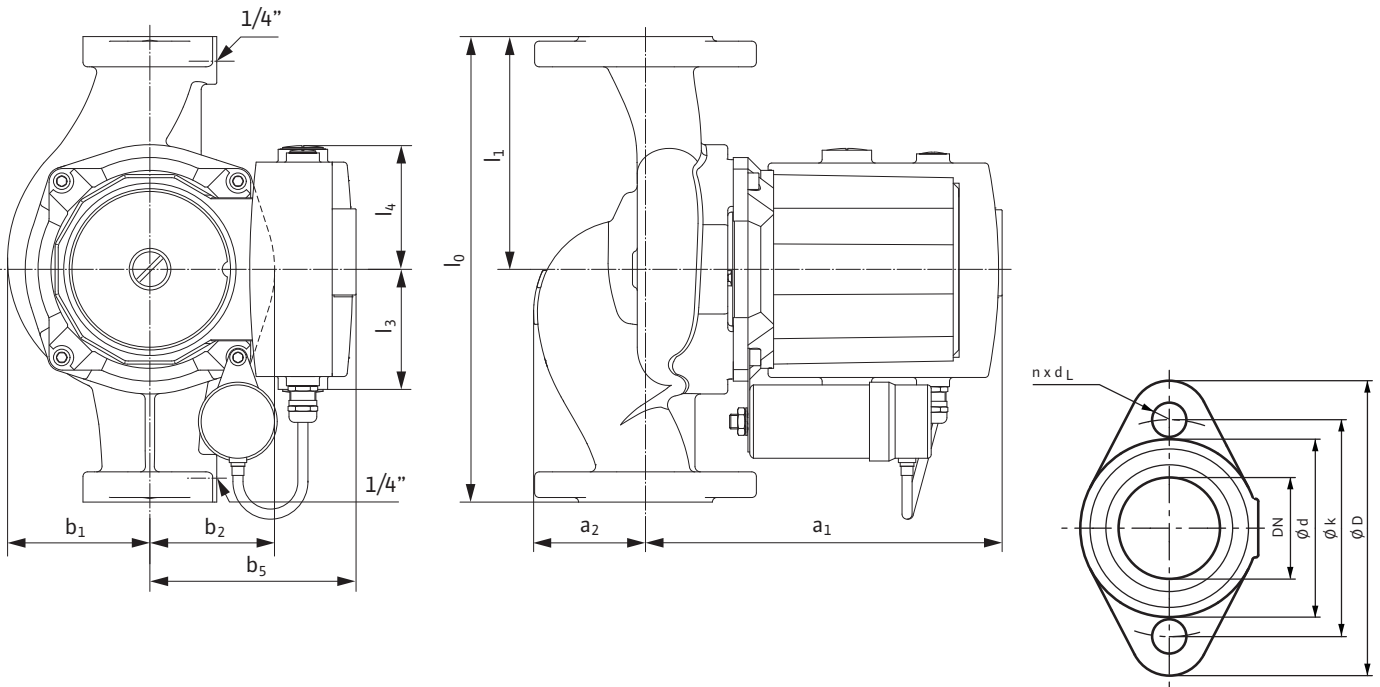
Top Z 1.5x20 Single Phase



Pumpen Intelligenz.

Dimensions, weights												
	Flange Diameter		Pump Dimensions									
	DN		l ₀		a ₁		a ₂		b ₁		b ₂	
	[inch]	[mm]	[inch]	[mm]	[inch]	[mm]	[inch]	[mm]	[inch]	[mm]	[inch]	[mm]
Top Z 1.5x20	1.5	40	10	254	7 ^{11/16}	195	2 ^{3/8}	61	3 ^{1/16}	78	2 ^{11/16}	68

Dimensions, weights (continued)										
	Pump Dimensions								Weight approx. net	
	b ₅		l ₁		l ₃		l ₄		[lbs]	[kg]
	[inch]	[mm]	[inch]	[mm]	[inch]	[mm]	[inch]	[mm]		
Top Z 1.5x20	4 ^{7/16}	113	5	127	2 ^{3/4}	70	2 ^{3/4}	70	22.3	10.1



Motor Data					
	Speed	Rated Power	Power Consumption	Current 115V / 230V	
	[rpm]	[hp]	[W]	[A]	
Max Speed	3350	1/4	295	2.8	1.4
Min Speed	3050	1/4	280	2.7	1.3

Flange Dimensions					
Non ANSI (oval)	Nominal Diameter	Flange Dimensions			
	DN	Ø D	Ø d ₂	Ø k	n x d _L
Inch	1.5	4 ^{3/4}	2 ^{7/8}	3 ^{1/2}	2 x 1/2
mm	40	121	73	89	2 x 14

WILO USA LLC
 1290 N 25th Ave
 Melrose Park, IL 60160
 Tel: (866) 945-6872
 Fax: (708) 338-9455
www.WILO-USA.com

WILO Canada Inc.
 Bay 7-2915 10th Ave. NE
 Calgary, Alberta T2A 5L4
 Tel: (866) 945-6236
 Fax: (403) 277-9456
www.WILO-CANADA.com



NSF/ANSI 61 Certified

WILO Top Z Submittal

Top Z 2x25 Single Phase

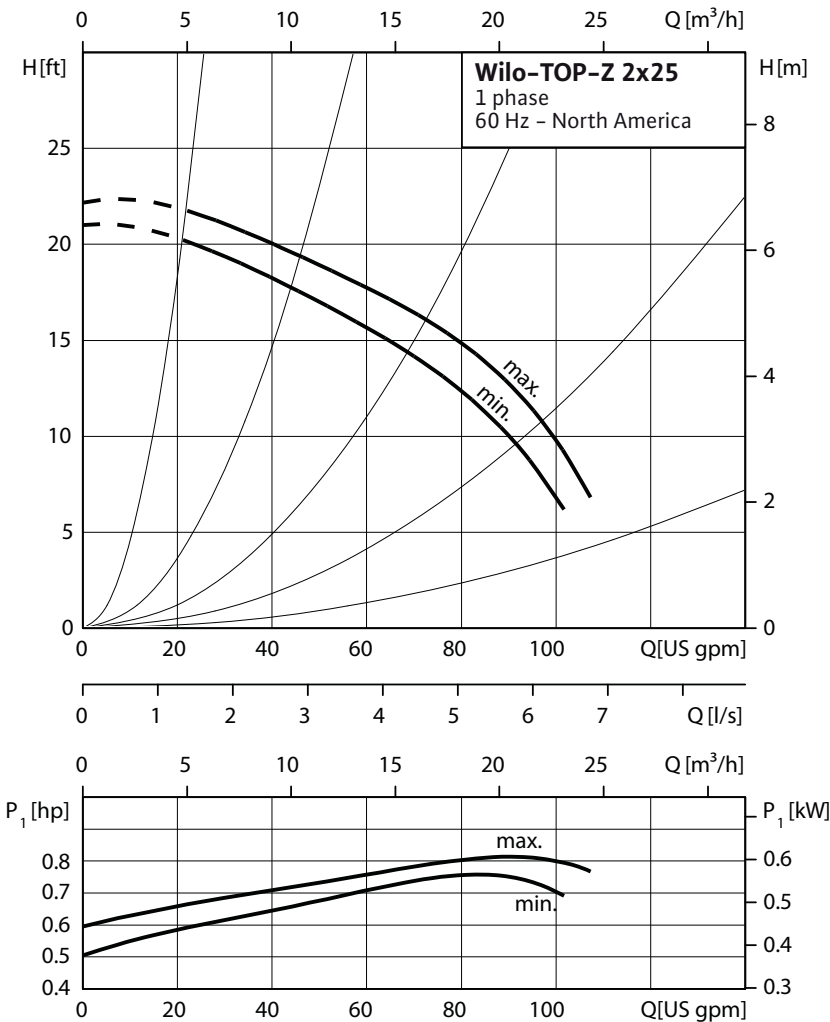


Pumpen Intelligenz.

Project:	
Engineer:	
Contractor:	
Submitted By:	Date:
Approved By:	Date:

Tag #	Model #	Flow	Head	Hp	Phase	Volt	Comments
	Top Z 2x25			5/8	1		

1~ (single phase motor)



Applications

- Closed System
Temp. Range: 14°F to 176°F (-10°C to 80°C)
- Open System
Temp. Range: 14°F to 140°F (-10°C to 60°C)
- Drinking Water
System Temp. Range: 32°F to 176°F (0°C to 80°C)
Ambient Temp: 32°F to 104°F (0°C to 40°C)
Max Working Press: 145 PSI (10 Bar)
- Fluids: Domestic hot water for secondary and service water systems
Heating Water
Water/Glycol up to 50%

Materials of Construction

- Impeller: Plastics PPS-40% GF
- Shaft: Stainless Steel (X39 CrMo17-1)
- Volute: Lead-free "eco-bronze"
- Bearing: Carbon (synthetic resin impregnated)



Approval Stamp Here

WILO USA LLC
1290 N 25th Ave
Melrose Park, IL 60160
Tel: (866) 945-6872
Fax: (708) 338-9455
www.WILO-USA.com

WILO Canada Inc.
Bay 7-2915 10th Ave. NE
Calgary, Alberta T2A 5L4
Tel: (866) 945-6236
Fax: (403) 277-9456
www.WILO-CANADA.com



NSF/ANSI 61 Certified

WILO Top Z Submittal

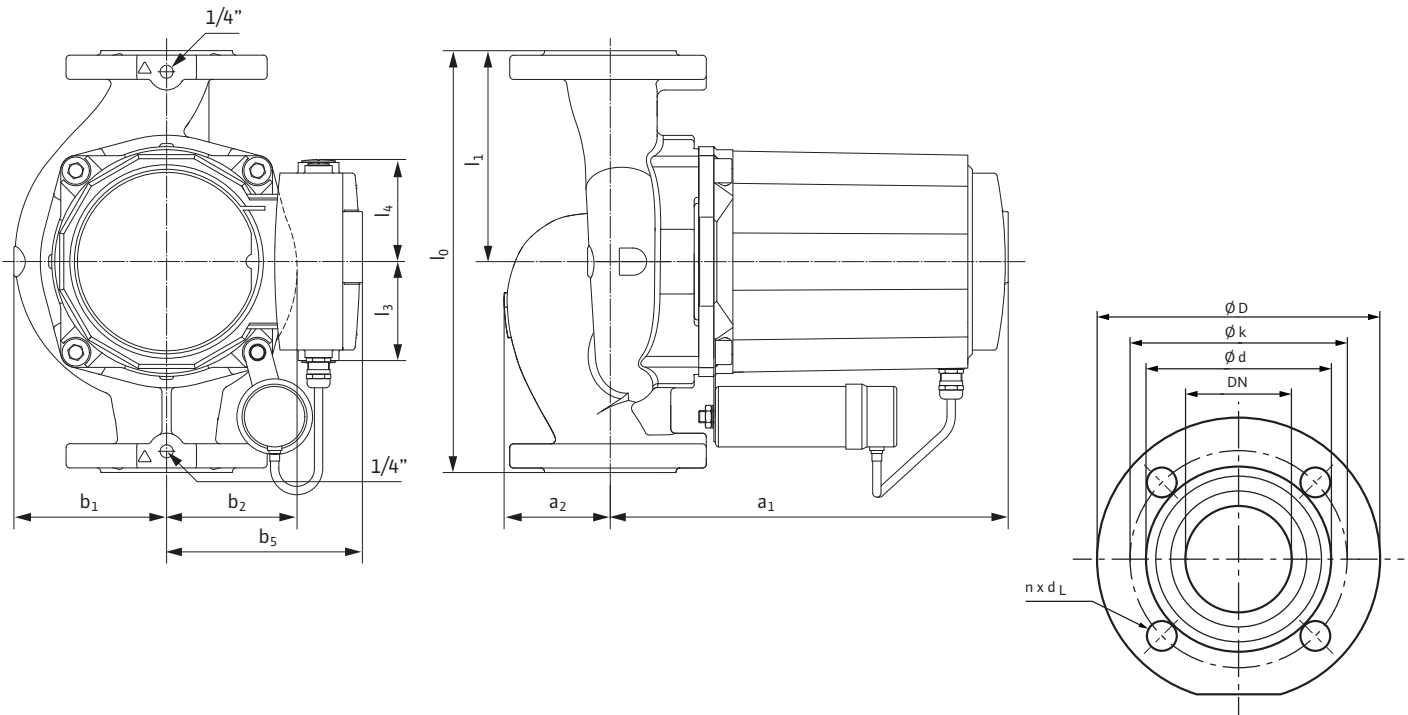
Top Z 2x25 Single Phase



Pumpen Intelligenz.

Dimensions, weights												
	Flange Diameter		Pump Dimensions									
	DN		l ₀		a ₁		a ₂		b ₁		b ₂	
	[inch]	[mm]	[inch]	[mm]	[inch]	[mm]	[inch]	[mm]	[inch]	[mm]	[inch]	[mm]
Top Z 2x25	2.0	50	11	279	9 ⁹ / ₁₆	243	2½	64	3 ⁹ / ₁₆	91	3	76

Dimensions, weights (continued)										
	Pump Dimensions								Weight approx. net	
	b ₅		l ₁		l ₃		l ₄		[lbs]	[kg]
	[inch]	[mm]	[inch]	[mm]	[inch]	[mm]	[inch]	[mm]		
Top Z 2x25	4¾	120	5½	139.5	2¾	70	2¾	70	36.8	16.7



Motor Data				
	Speed	Rated Power	Power Consumption	Current 115V / 230V
	[rpm]	[hp]	[W]	[A]
Max Speed	3450	5/8	620	5.9 3.0
Min Speed	3200	5/8	570	5.7 2.4

Flange Dimensions					
Non ANSI (round)	Nominal Diameter	Flange Dimensions			
	DN	Ø D	Ø d ₂	Ø k	n x d _L
Inch	2.0	5¼	3 ⁷ / ₁₆	4	4 x ½
mm	50	133	87	102	4 x 14

WILO USA LLC
1290 N 25th Ave
Melrose Park, IL 60160
Tel: (866) 945-6872
Fax: (708) 338-9455

www.WILO-USA.com

WILO Canada Inc.
Bay 7-2915 10th Ave. NE
Calgary, Alberta T2A 5L4
Tel: (866) 945-6236
Fax: (403) 277-9456

www.WILO-CANADA.com



WILO Top Z Submittal

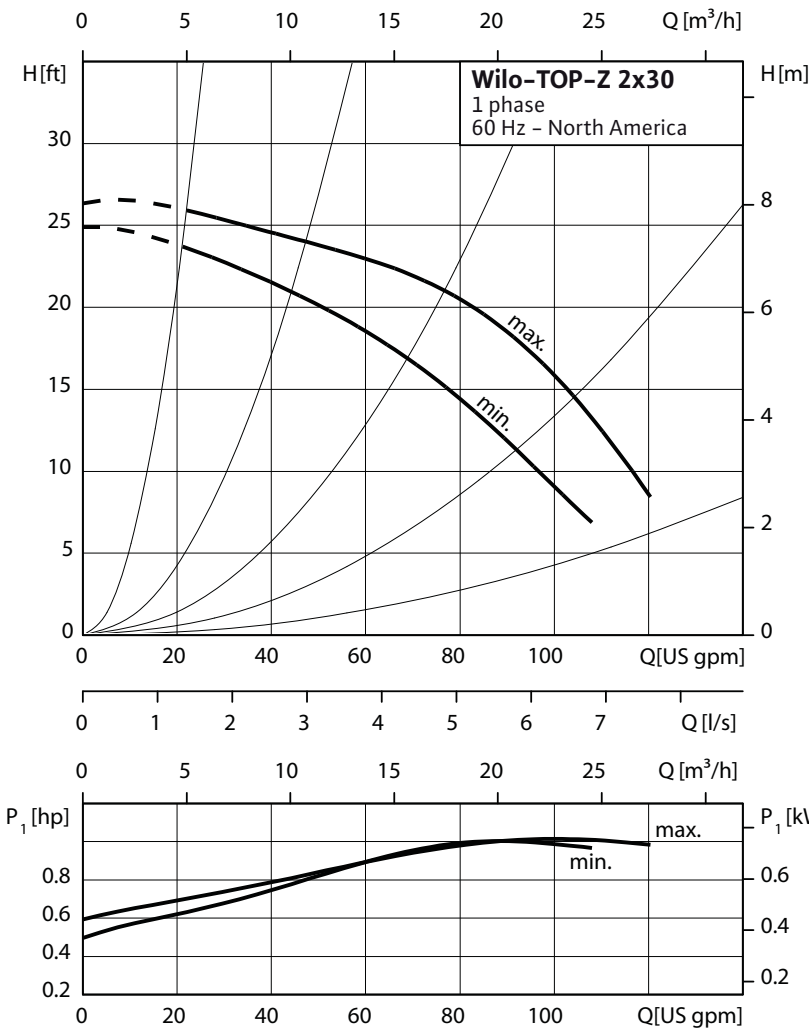
Top Z 2x30 Single Phase



Project:	
Engineer:	
Contractor:	
Submitted By:	Date:
Approved By:	Date:

Tag #	Model #	Flow	Head	Hp	Phase	Volt	Comments
	Top Z 2x30			5/8	1		

1~ (single phase motor)



Applications

- Closed System
Temp. Range: 14°F to 176°F (-10°C to 80°C)
- Open System
Temp. Range: 14°F to 140°F (-10°C to 60°C)
- Drinking Water
System Temp. Range: 32°F to 176°F (0°C to 80°C)
Ambient Temp: 32°F to 104°F (0°C to 40°C)
Max Working Press: 145 PSI (10 Bar)
- Fluids: Domestic hot water for secondary and service water systems
Heating Water
Water/Glycol up to 50%

Materials of Construction

- Impeller: Plastics PPS-40% GF
- Shaft: Stainless Steel (X39 CrMo17-1)
- Volute: Lead-free "eco-bronze"
- Bearing: Carbon (synthetic resin impregnated)



WILO USA LLC
1290 N 25th Ave
Melrose Park, IL 60160
Tel: (866) 945-6872
Fax: (708) 338-9455
www.WILO-USA.com

WILO Canada Inc.
Bay 7-2915 10th Ave. NE
Calgary, Alberta T2A 5L4
Tel: (866) 945-6236
Fax: (403) 277-9456
www.WILO-CANADA.com



NSF/ANSI 61 Certified

WILO Top Z Submittal

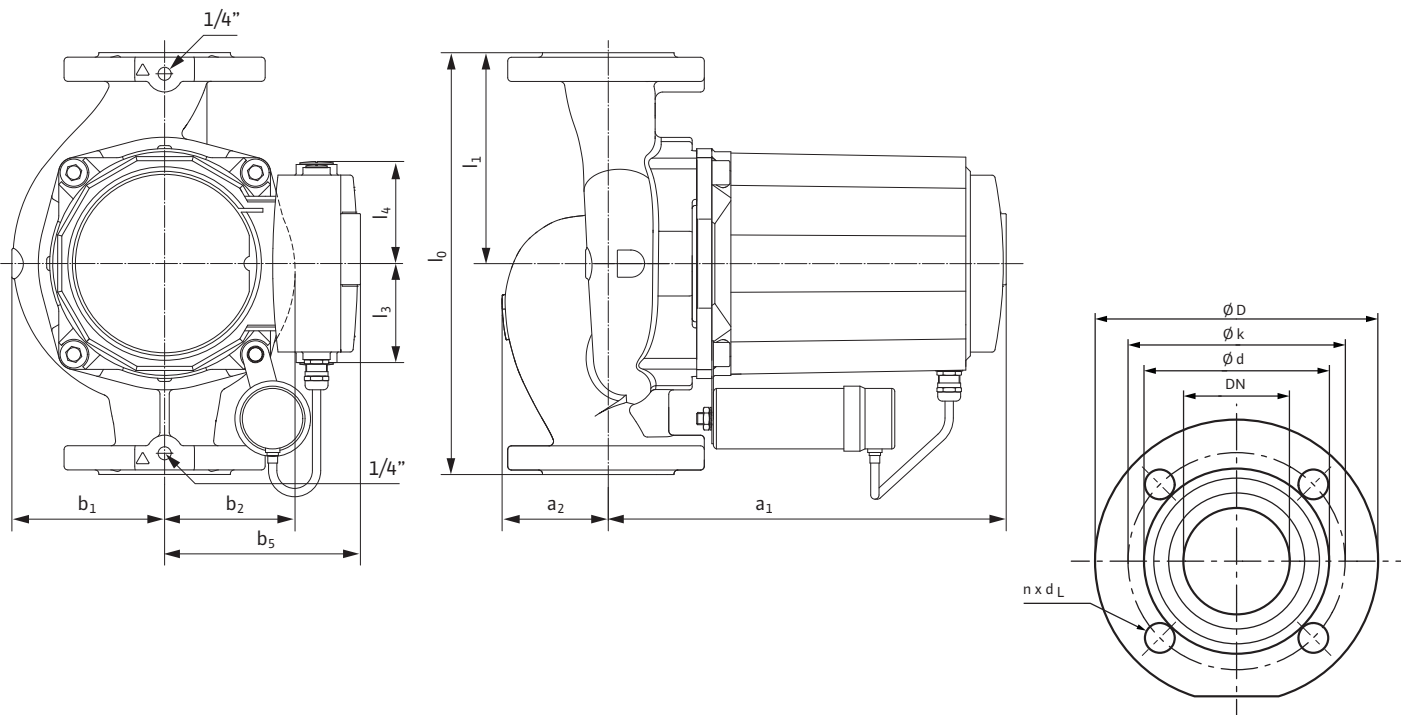
Top Z 2x30 Single Phase



Pumpen Intelligenz.

Dimensions, weights												
	Flange Diameter		Pump Dimensions									
	DN		l ₀		a ₁		a ₂		b ₁		b ₂	
	[inch]	[mm]	[inch]	[mm]	[inch]	[mm]	[inch]	[mm]	[inch]	[mm]	[inch]	[mm]
Top Z 2x30	2.0	50	11	279	9 ⁹ / ₁₆	243	2½	64	3 ⁹ / ₁₆	91	3	76

Dimensions, weights (continued)										
	Pump Dimensions								Weight approx. net	
	b ₅		l ₁		l ₃		l ₄		[lbs]	[kg]
	[inch]	[mm]	[inch]	[mm]	[inch]	[mm]	[inch]	[mm]		
Top Z 2x30	4¾	120	5½	139.5	2¾	70	2¾	70	36.8	16.7



Motor Data					
	Speed	Rated Power	Power Consumption	Current 115V / 230V	
	[rpm]	[hp]	[W]	[A]	
Max Speed	3300	5/8	760	7.5	3.8
Min Speed	3150	5/8	740	7.2	3.6

Flange Dimensions					
Non ANSI (round)	Nominal Diameter	Flange Dimensions			
	DN	Ø D	Ø d ₂	Ø k	n x d _L
Inch	2.0	5¼	3 ⁷ / ₁₆	4	4 x ½
mm	50	133	87	102	4 x 14

WILO USA LLC
1290 N 25th Ave
Melrose Park, IL 60160
Tel: (866) 945-6872
Fax: (708) 338-9455

www.WILO-USA.com

WILO Canada Inc.
Bay 7-2915 10th Ave. NE
Calgary, Alberta T2A 5L4
Tel: (866) 945-6236
Fax: (403) 277-9456

www.WILO-CANADA.com



NSF/ANSI 61 Certified

WILO Top Z Submittal

Top Z 2x40 Single Phase

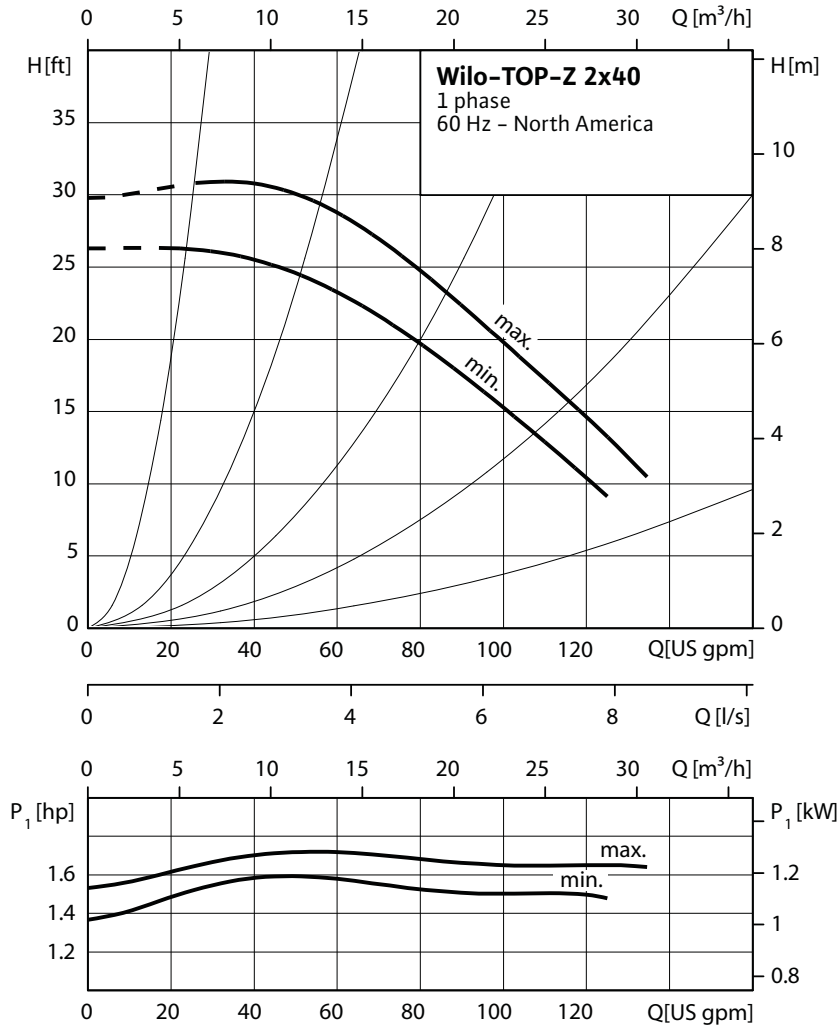


Pumpen Intelligenz.

Project:	
Engineer:	
Contractor:	
Submitted By:	Date:
Approved By:	Date:

Tag #	Model #	Flow	Head	Hp	Phase	Volt	Comments
	Top Z 2x40			1	1		

1~ (single phase motor)



Applications

- Closed System
 - Temp. Range: 14°F to 176°F (-10°C to 80°C)
- Open System
 - Temp. Range: 14°F to 140°F (-10°C to 60°C)
- Drinking Water
 - System Temp. Range: 32°F to 176°F (0°C to 80°C)
 - Ambient Temp: 32°F to 104°F (0°C to 40°C)
- Max Working Press: 145 PSI (10 Bar)
- Fluids: Domestic hot water for secondary and service water systems
Heating Water
Water/Glycol up to 50%

Materials of Construction

- Impeller: Plastics PPS-40% GF
- Shaft: Stainless Steel (X39 CrMo17-1)
- Volute: Lead-free "eco-bronze"
- Bearing: Carbon (synthetic resin impregnated)



WILO USA LLC
1290 N 25th Ave
Melrose Park, IL 60160
Tel: (866) 945-6872
Fax: (708) 338-9455
www.WILO-USA.com

WILO Canada Inc.
Bay 7-2915 10th Ave. NE
Calgary, Alberta T2A 5L4
Tel: (866) 945-6236
Fax: (403) 277-9456
www.WILO-CANADA.com



NSF/ANSI 61 Certified

WILO Top Z Submittal

Top Z 2x40 Single Phase



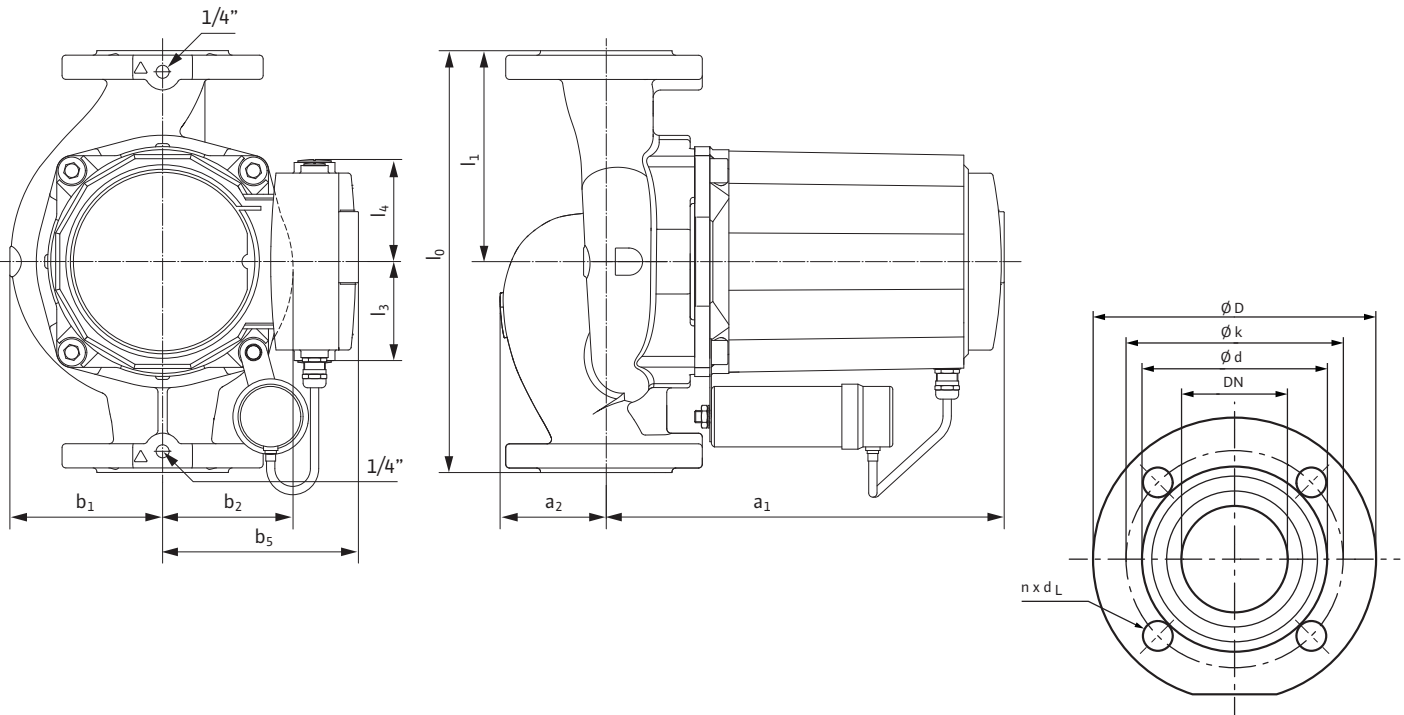
Pumpen Intelligenz.

Dimensions, weights

	Flange Diameter		Pump Dimensions									
	DN		l ₀		a ₁		a ₂		b ₁		b ₂	
	[inch]	[mm]	[inch]	[mm]	[inch]	[mm]	[inch]	[mm]	[inch]	[mm]	[inch]	[mm]
Top Z 2x40	2.0	50	13½	343	11 7/16	290	3 7/16	88	4 1/8	105	3 9/16	90

Dimensions, weights (continued)

	Pump Dimensions								Weight approx. net	
	b ₅		l ₁		l ₃		l ₄		[lbs]	[kg]
	[inch]	[mm]	[inch]	[mm]	[inch]	[mm]	[inch]	[mm]		
Top Z 2x40	5 1/8	130	6 3/4	171.5	2 3/4	70	2 3/4	70	55.1	25.0



Motor Data

	Speed	Rated Power	Power Consumption	Current 115V / 230V	
	[rpm]	[hp]	[W]	[A]	
Max Speed	3300	1	1290	-	6.0
Min Speed	2950	1	1190	-	5.7

Flange Dimensions

Non ANSI (round)	Nominal Diameter	Flange Dimensions			
	DN	Ø D	Ø d ₂	Ø k	n x d _L
Inch	2.0	5¼	3 7/16	4	4 x 1/2
mm	50	133	87	102	4 x 14

WILO USA LLC
1290 N 25th Ave
Melrose Park, IL 60160
Tel: (866) 945-6872
Fax: (708) 338-9455

www.WILO-USA.com

WILO Canada Inc.
Bay 7-2915 10th Ave. NE
Calgary, Alberta T2A 5L4
Tel: (866) 945-6236
Fax: (403) 277-9456

www.WILO-CANADA.com



NSF/ANSI 61 Certified

WILO Top Z Submittal

Top Z 1.5x20 Three Phase

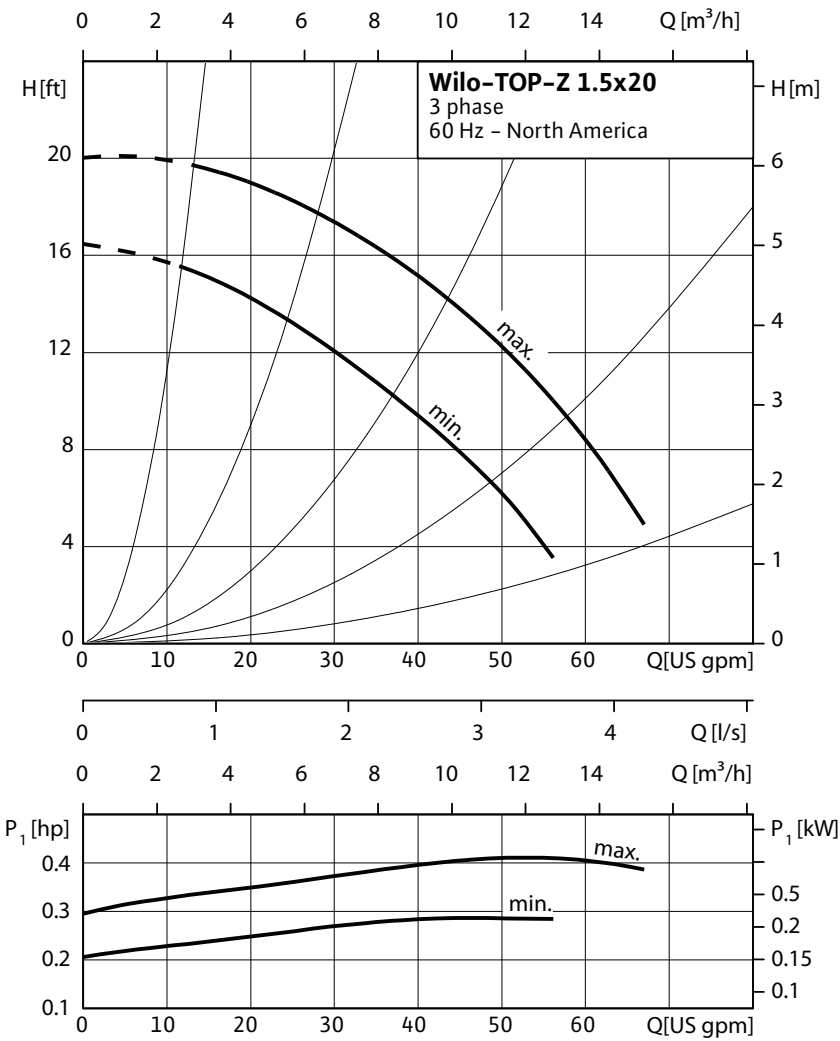


Pumpen Intelligenz.

Project:	
Engineer:	
Contractor:	
Submitted By:	Date:
Approved By:	Date:

Tag #	Model #	Flow	Head	Hp	Phase	Volt	Comments
	Top Z 1.5x20			1/4	3		

3~ (three phase motor)



Applications

- Closed System
Temp. Range: 14°F to 176°F (-10°C to 80°C)
- Open System
Temp. Range: 14°F to 140°F (-10°C to 60°C)
- Drinking Water
- System Temp. Range: 32°F to 176°F (0°C to 80°C)
- Ambient Temp: 32°F to 104°F (0°C to 40°C)
- Max Working Press: 145 PSI (10 Bar)
- Fluids: Domestic hot water for secondary and service water systems
Heating Water
Water/Glycol up to 50%

Materials of Construction

- Impeller: Plastics PPS-40% GF
- Shaft: Stainless Steel (X39 CrMo17-1)
- Volute: Lead-free "eco-bronze"
- Bearing: Carbon (synthetic resin impregnated)

Approval Stamp Here

WILO USA LLC
1290 N 25th Ave
Melrose Park, IL 60160
Tel: (866) 945-6872
Fax: (708) 338-9455

www.WILO-USA.com

WILO Canada Inc.
Bay 7-2915 10th Ave. NE
Calgary, Alberta T2A 5L4
Tel: (866) 945-6236
Fax: (403) 277-9456

www.WILO-CANADA.com



NSF/ANSI 61 Certified

WILO Top Z Submittal

Top Z 1.5x20 Three Phase



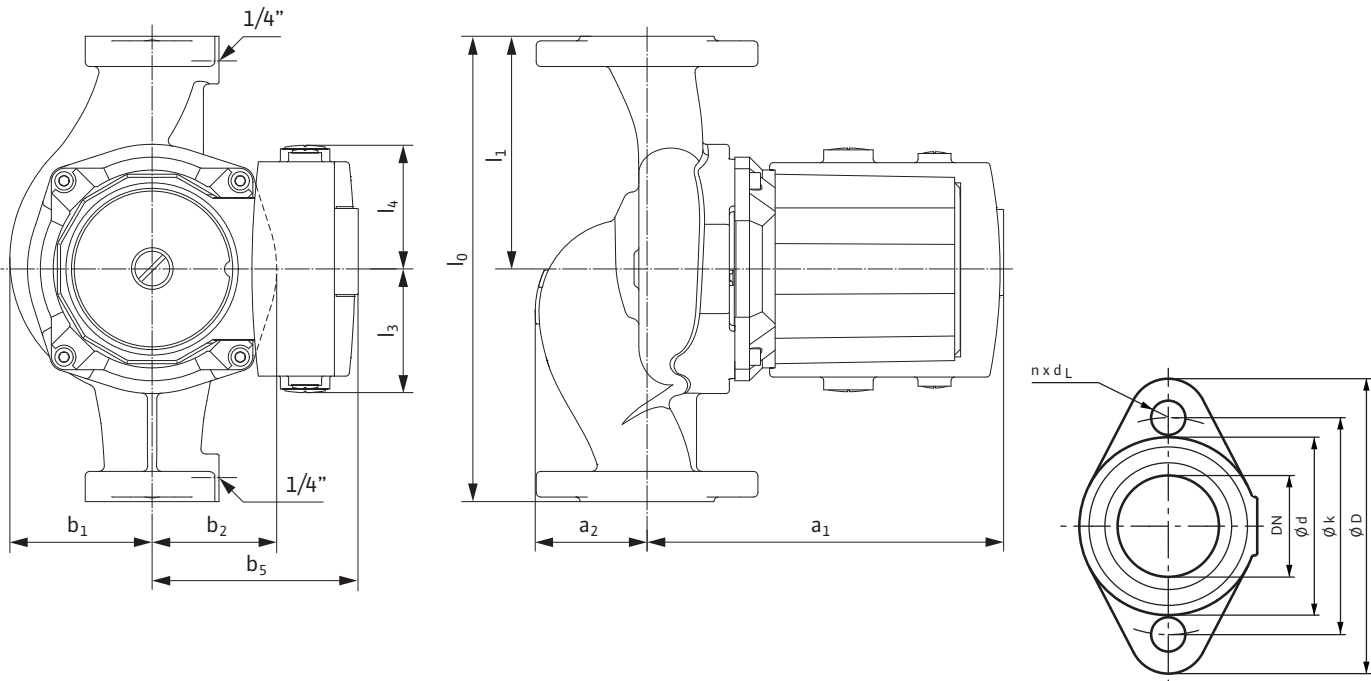
Pumpen Intelligenz.

Dimensions, weights

	Flange Diameter		Pump Dimensions									
	DN		l ₀		a ₁		a ₂		b ₁		b ₂	
	[inch]	[mm]	[inch]	[mm]	[inch]	[mm]	[inch]	[mm]	[inch]	[mm]	[inch]	[mm]
Top Z 1.5x20	1.5	40	10	254	7 ¹¹ / ₁₆	195	2 ³ / ₈	61	3 ¹ / ₁₆	78	2 ¹ / ₁₆	68

Dimensions, weights (continued)

	Pump Dimensions								Weight approx. net	
	b ₅		l ₁		l ₃		l ₄		[lbs]	[kg]
	[inch]	[mm]	[inch]	[mm]	[inch]	[mm]	[inch]	[mm]		
Top Z 1.5x20	4 ⁷ / ₁₆	113	5	127	2 ³ / ₄	70	2 ³ / ₄	70	22.0	10.0



Motor Data

	Speed	Rated Power	Power Consumption	Current		
	[rpm]	[hp]	[W]	208-230/460/575V	[A]	
Max Speed	3320	¼	310	1.2	-	-
Min Speed	2800	¼	220	0.7	-	-

Flange Dimensions

Non ANSI (oval)	Nominal Diameter	Flange Dimensions			
	DN	Ø D	Ø d ₂	Ø k	n x d _L
Inch	1.5	4 ³ / ₄	2 ⁷ / ₈	3 ¹ / ₂	2 x ½
mm	40	121	73	89	2 x 14

WILO USA LLC
1290 N 25th Ave
Melrose Park, IL 60160
Tel: (866) 945-6872
Fax: (708) 338-9455

www.WILO-USA.com

WILO Canada Inc.
Bay 7-2915 10th Ave. NE
Calgary, Alberta T2A 5L4
Tel: (866) 945-6236
Fax: (403) 277-9456

www.WILO-CANADA.com



WILO Top Z Submittal

Top Z 2x25 Three Phase



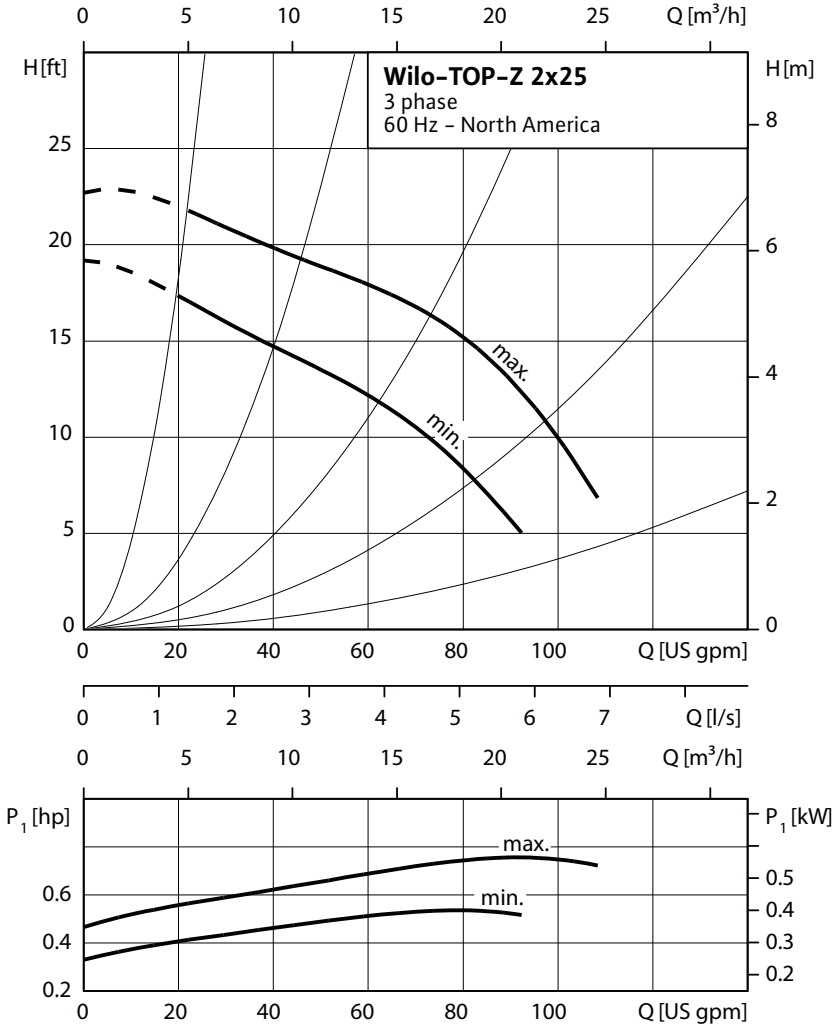
Pumpen Intelligenz.

NSF/ANSI 61 Certified

Project:	
Engineer:	
Contractor:	
Submitted By:	Date:
Approved By:	Date:

Tag #	Model #	Flow	Head	Hp	Phase	Volt	Comments
	Top Z 2x25			5/8	3		

3~ (three phase motor)



Applications

- Closed System
Temp. Range: 14°F to 176°F (-10°C to 80°C)
- Open System
Temp. Range: 14°F to 140°F (-10°C to 60°C)
- Drinking Water
System Temp. Range: 32°F to 176°F (0°C to 80°C)
- Ambient Temp: 32°F to 104°F (0°C to 40°C)
- Max Working Press: 145 PSI (10 Bar)
- Fluids: Domestic hot water for secondary and service water systems
Heating Water
Water/Glycol up to 50%

Materials of Construction

- Impeller: Plastics PPS-40% GF
- Shaft: Stainless Steel (X39 CrMo17-1)
- Volute: Lead-free "eco-bronze"
- Bearing: Carbon (synthetic resin impregnated)



WILO USA LLC
1290 N 25th Ave
Melrose Park, IL 60160
Tel: (866) 945-6872
Fax: (708) 338-9455
www.WILO-USA.com

WILO Canada Inc.
Bay 7-2915 10th Ave. NE
Calgary, Alberta T2A 5L4
Tel: (866) 945-6236
Fax: (403) 277-9456
www.WILO-CANADA.com



NSF/ANSI 61 Certified

WILO Top Z Submittal

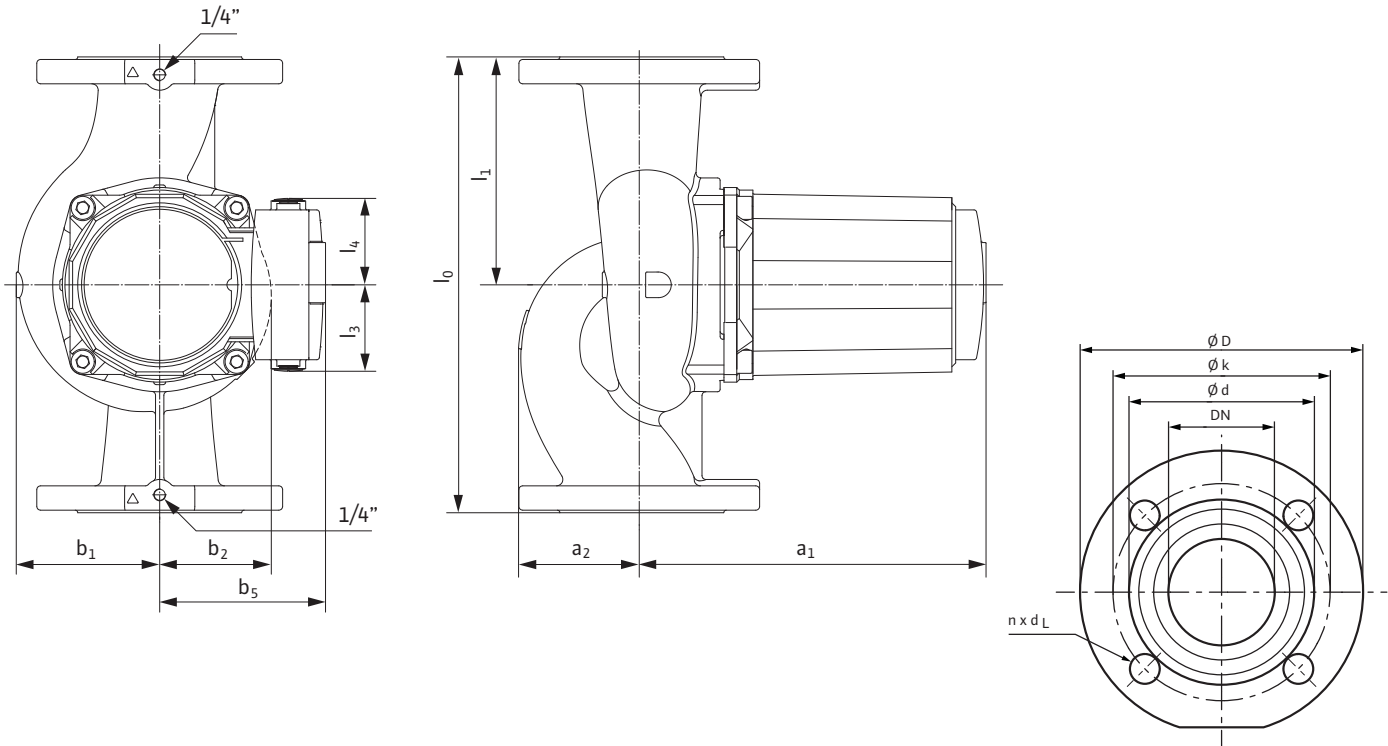
Top Z 2x25 Three Phase



Pumpen Intelligenz.

Dimensions, weights												
	Flange Diameter		Pump Dimensions									
	DN		l ₀		a ₁		a ₂		b ₁		b ₂	
	[inch]	[mm]	[inch]	[mm]	[inch]	[mm]	[inch]	[mm]	[inch]	[mm]	[inch]	[mm]
Top Z 2x25	2.0	50	11	279	9 ⁹ / ₁₆	243	2 1/2	64	3 ⁹ / ₁₆	91	3	76

Dimensions, weights (continued)										
	Pump Dimensions								Weight approx. net	
	b ₅		l ₁		l ₃		l ₄		[lbs]	[kg]
	[inch]	[mm]	[inch]	[mm]	[inch]	[mm]	[inch]	[mm]		
Top Z 2x25	4 3/4	120	5 1/2	139.5	2 3/4	70	2 3/4	70	34.8	15.8



Motor Data						
	Speed	Rated Power	Power Consumption	Current		
	[rpm]	[hp]	[W]	208-230/460/575V [A]		
Max Speed	3300	5/8	570	2.0	1.0	0.8
Min Speed	2800	5/8	400	1.2	0.6	0.5

Flange Dimensions					
Non ANSI (round)	Nominal Diameter	Flange Dimensions			
	DN	Ø D	Ø d ₂	Ø k	n x d _L
Inch	2.0	5 1/4	3 7/16	4	4 x 1/2
mm	50	133	87	102	4 x 14

WILO USA LLC
 1290 N 25th Ave
 Melrose Park, IL 60160
 Tel: (866) 945-6872
 Fax: (708) 338-9455
www.WILO-USA.com

WILO Canada Inc.
 Bay 7-2915 10th Ave. NE
 Calgary, Alberta T2A 5L4
 Tel: (866) 945-6236
 Fax: (403) 277-9456
www.WILO-CANADA.com



WILO Top Z Submittal

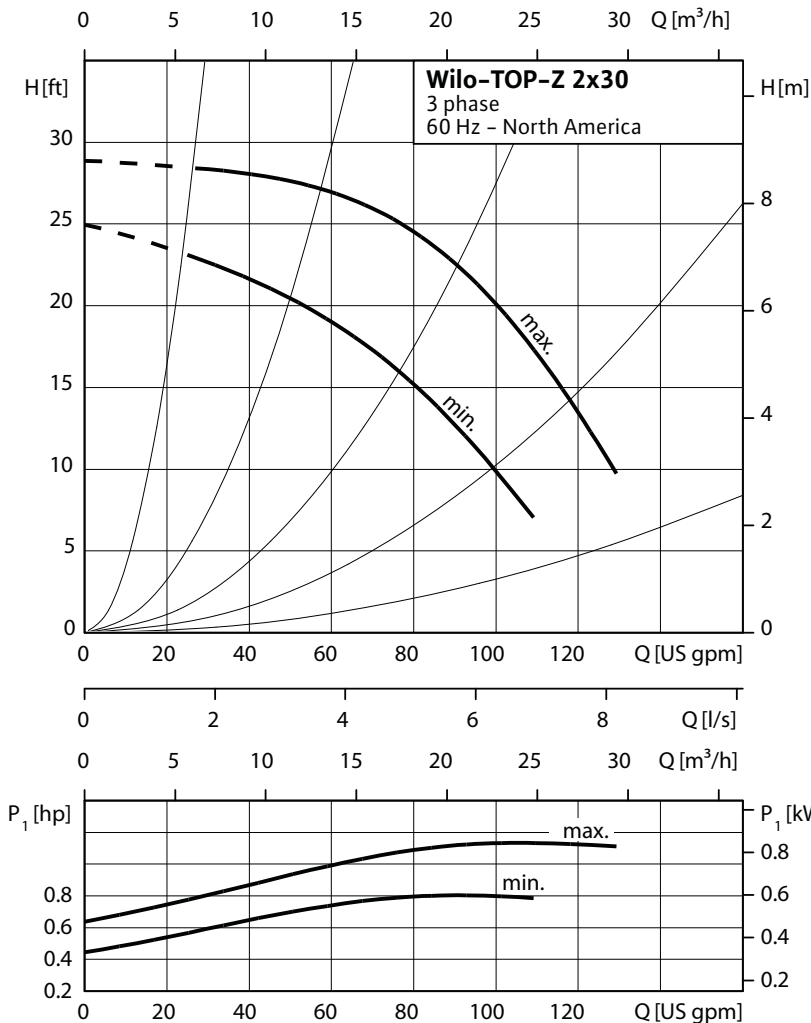
Top Z 2x30 Three Phase



Project:	
Engineer:	
Contractor:	
Submitted By:	Date:
Approved By:	Date:

Tag #	Model #	Flow	Head	Hp	Phase	Volt	Comments
	Top Z 2x30			5/8	3		

3~ (three phase motor)



Applications

- Closed System
Temp. Range: 14°F to 176°F (-10°C to 80°C)
- Open System
Temp. Range: 14°F to 140°F (-10°C to 60°C)
- Drinking Water
System Temp. Range: 32°F to 176°F (0°C to 80°C)
Ambient Temp: 32°F to 104°F (0°C to 40°C)
- Max Working Press: 145 PSI (10 Bar)
- Fluids: Domestic hot water for secondary and service water systems
Heating Water
Water/Glycol up to 50%

Materials of Construction

- Impeller: Plastics PPS-40% GF
- Shaft: Stainless Steel (X39 CrMo17-1)
- Volute: Lead-free "eco-bronze"
- Bearing: Carbon (synthetic resin impregnated)



WILO USA LLC
1290 N 25th Ave
Melrose Park, IL 60160
Tel: (866) 945-6872
Fax: (708) 338-9455
www.WILO-USA.com

WILO Canada Inc.
Bay 7-2915 10th Ave. NE
Calgary, Alberta T2A 5L4
Tel: (866) 945-6236
Fax: (403) 277-9456
www.WILO-CANADA.com



NSF/ANSI 61 Certified

WILO Top Z Submittal

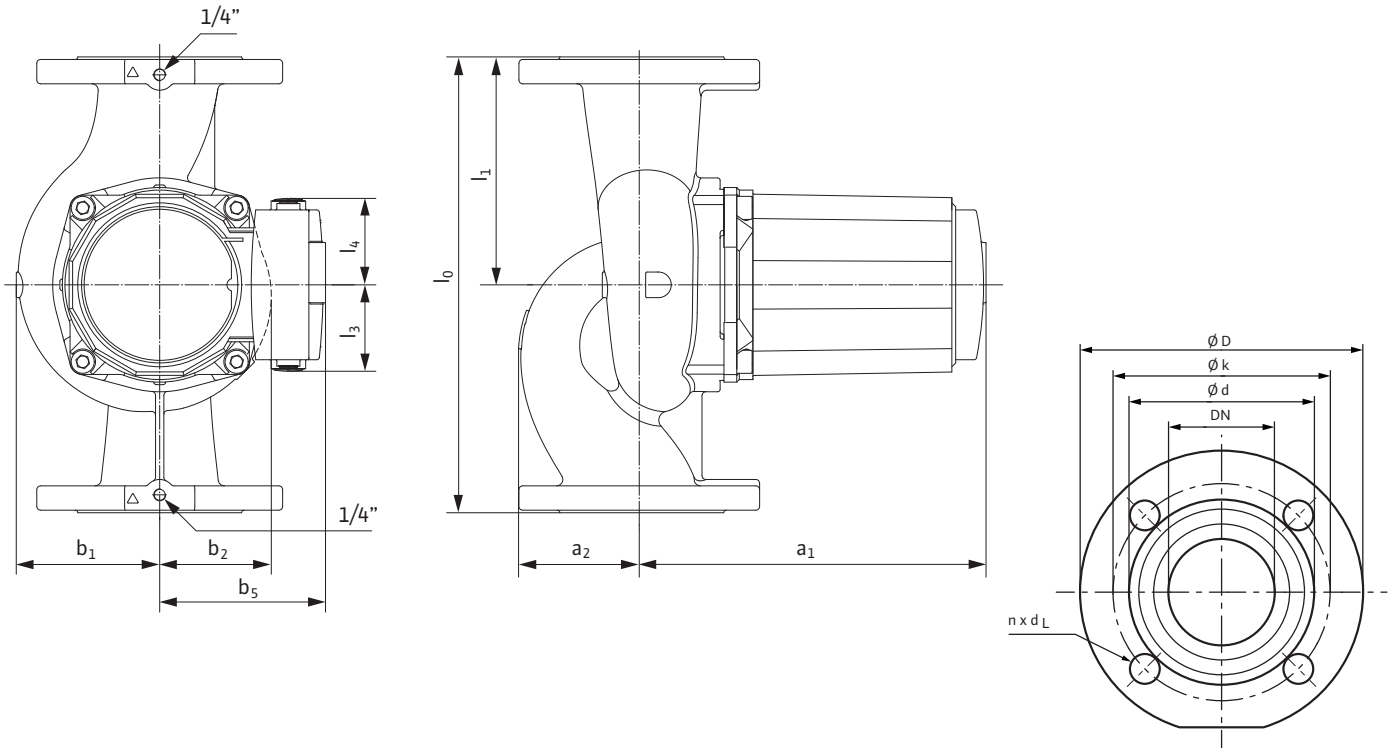
Top Z 2x30 Three Phase



Pumpen Intelligenz.

Dimensions, weights												
	Flange Diameter		Pump Dimensions									
	DN		l ₀		a ₁		a ₂		b ₁		b ₂	
	[inch]	[mm]	[inch]	[mm]	[inch]	[mm]	[inch]	[mm]	[inch]	[mm]	[inch]	[mm]
Top Z 2x30	2.0	50	11	279	9 ⁹ / ₁₆	243	2½	64	3 ⁹ / ₁₆	91	3	76

Dimensions, weights (continued)										
	Pump Dimensions								Weight approx. net	
	b ₅		l ₁		l ₃		l ₄		[lbs]	[kg]
	[inch]	[mm]	[inch]	[mm]	[inch]	[mm]	[inch]	[mm]		
Top Z 2x30	4¾	120	5½	139.5	2¾	70	2¾	70	36.2	16.4



Motor Data						
	Speed	Rated Power	Power Consumption	Current		
	[rpm]	[hp]	[W]	208-230/460/575V [A]		
Max Speed	3290	5/8	850	2.8	1.4	1.1
Min Speed	2760	5/8	610	1.8	0.9	0.7

Flange Dimensions					
Non ANSI (round)	Nominal Diameter	Flange Dimensions			
	DN	Ø D	Ø d ₂	Ø k	n x d _L
Inch	2.0	5¼	3 ⁷ / ₁₆	4	4 x ½
mm	50	133	87	102	4 x 14

WILO USA LLC
 1290 N 25th Ave
 Melrose Park, IL 60160
 Tel: (866) 945-6872
 Fax: (708) 338-9455
www.WILO-USA.com

WILO Canada Inc.
 Bay 7-2915 10th Ave. NE
 Calgary, Alberta T2A 5L4
 Tel: (866) 945-6236
 Fax: (403) 277-9456
www.WILO-CANADA.com



WILO Top Z Submittal

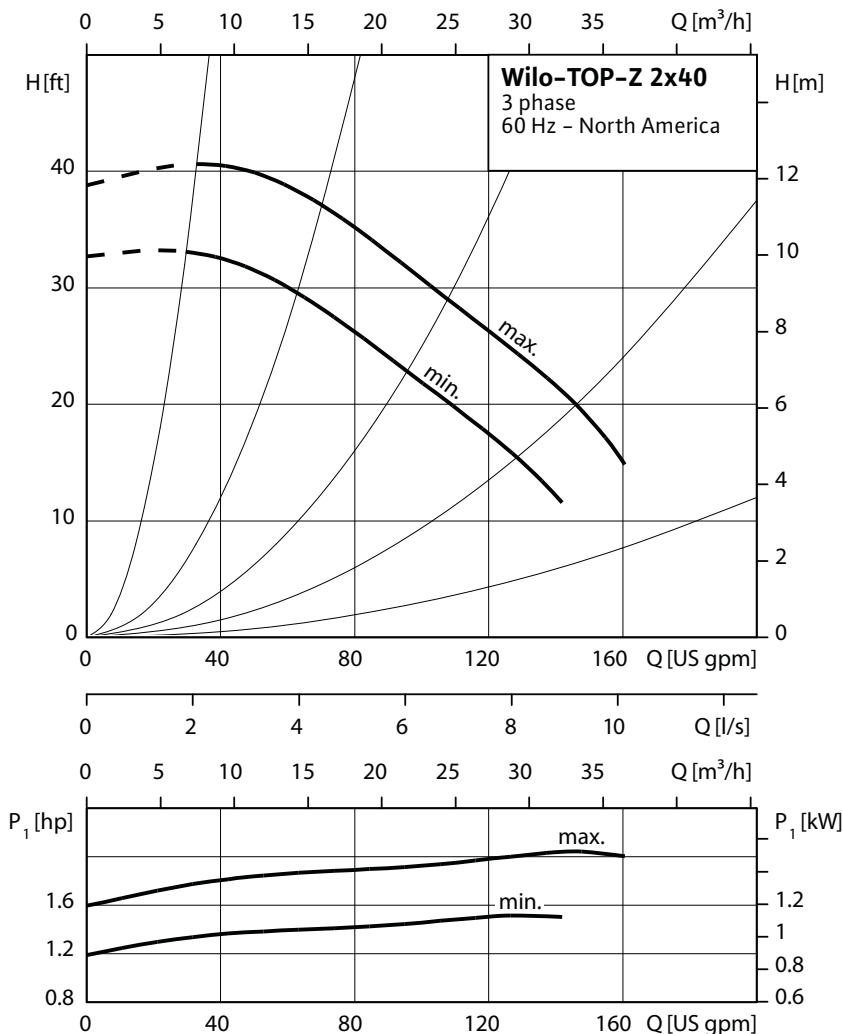
Top Z 2x40 Three Phase



Project:	
Engineer:	
Contractor:	
Submitted By:	Date:
Approved By:	Date:

Tag #	Model #	Flow	Head	Hp	Phase	Volt	Comments
	Top Z 2x40			1½	3		

3~ (three phase motor)



Applications

- Closed System
Temp. Range: 14°F to 176°F (-10°C to 80°C)
- Open System
Temp. Range: 14°F to 140°F (-10°C to 60°C)
- Drinking Water
System Temp. Range: 32°F to 176°F (0°C to 80°C)
Ambient Temp: 32°F to 104°F (0°C to 40°C)
- Max Working Press: 145 PSI (10 Bar)
- Fluids: Domestic hot water for secondary and service water systems
Heating Water
Water/Glycol up to 50%

Materials of Construction

- Impeller: Plastics PPS-40% GF
- Shaft: Stainless Steel (X39 CrMo17-1)
- Volute: Lead-free "eco-bronze"
- Bearing: Carbon (synthetic resin impregnated)



WILO USA LLC
1290 N 25th Ave
Melrose Park, IL 60160
Tel: (866) 945-6872
Fax: (708) 338-9455
www.WILO-USA.com

WILO Canada Inc.
Bay 7-2915 10th Ave. NE
Calgary, Alberta T2A 5L4
Tel: (866) 945-6236
Fax: (403) 277-9456
www.WILO-CANADA.com



NSF/ANSI 61 Certified

WILO Top Z Submittal

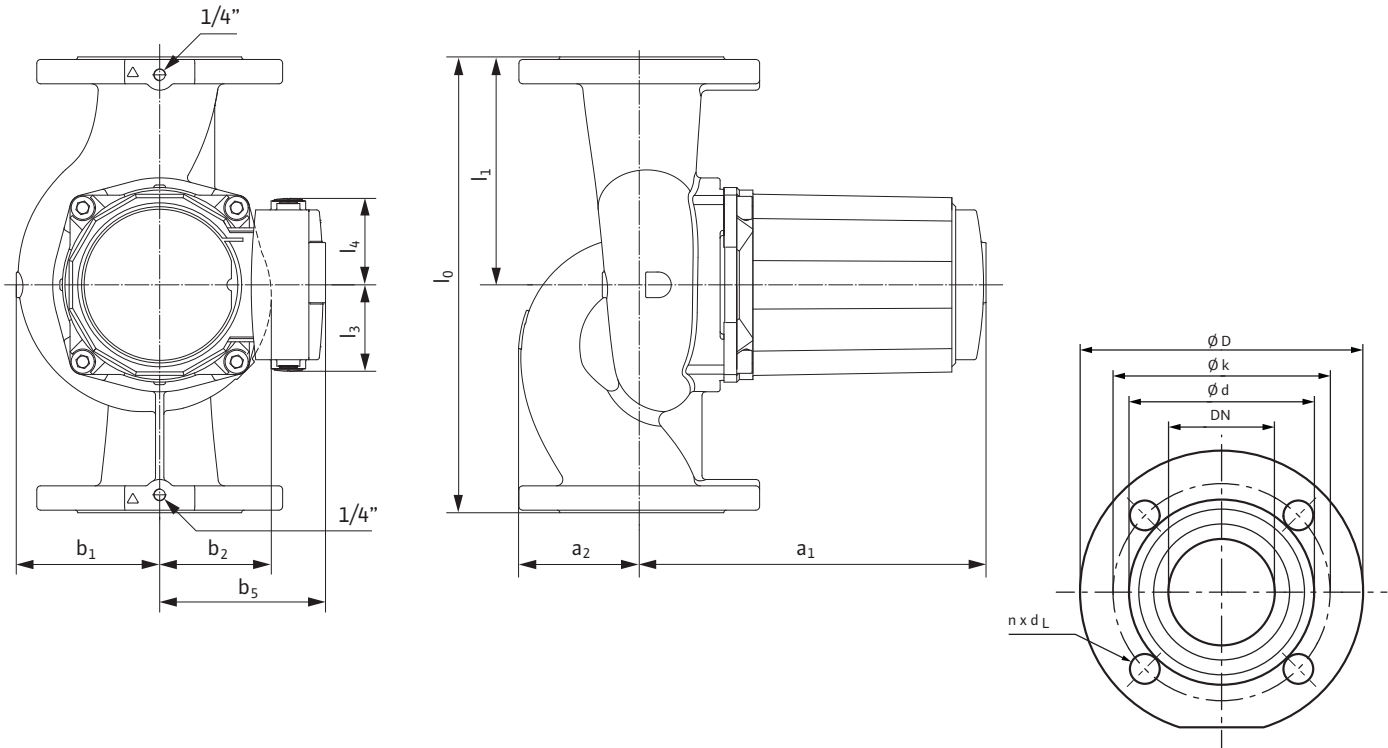
Top Z 2x40 Three Phase



Pumpen Intelligenz.

Dimensions, weights												
	Flange Diameter		Pump Dimensions									
	DN		l ₀		a ₁		a ₂		b ₁		b ₂	
	[inch]	[mm]	[inch]	[mm]	[inch]	[mm]	[inch]	[mm]	[inch]	[mm]	[inch]	[mm]
Top Z 2x40	2.0	50	13½	343	11 7/16	290	3 7/16	88	4 1/8	105	3 9/16	90

Dimensions, weights (continued)										
	Pump Dimensions								Weight approx. net	
	b ₅		l ₁		l ₃		l ₄		[lbs]	[kg]
	[inch]	[mm]	[inch]	[mm]	[inch]	[mm]	[inch]	[mm]		
Top Z 2x40	5 1/8	130	6 3/4	171.5	2 3/4	70	2 3/4	70	54.5	24.7



Motor Data						
	Speed	Rated Power	Power Consumption	Current		
	[rpm]	[hp]	[W]	208-230/460/575V [A]		
Max Speed	3380	1½	1530	5.2	2.6	2.0
Min Speed	2980	1½	1130	3.3	1.6	1.3

Flange Dimensions					
Non ANSI (round)	Nominal Diameter	Flange Dimensions			
	DN	Ø D	Ø d ₂	Ø k	n x d _L
Inch	2.0	5¼	3 7/16	4	4 x 1/2
mm	50	133	87	102	4 x 14

WILO USA LLC
 1290 N 25th Ave
 Melrose Park, IL 60160
 Tel: (866) 945-6872
 Fax: (708) 338-9455
www.WILO-USA.com

WILO Canada Inc.
 Bay 7-2915 10th Ave. NE
 Calgary, Alberta T2A 5L4
 Tel: (866) 945-6236
 Fax: (403) 277-9456
www.WILO-CANADA.com



WILO Top Z Submittal

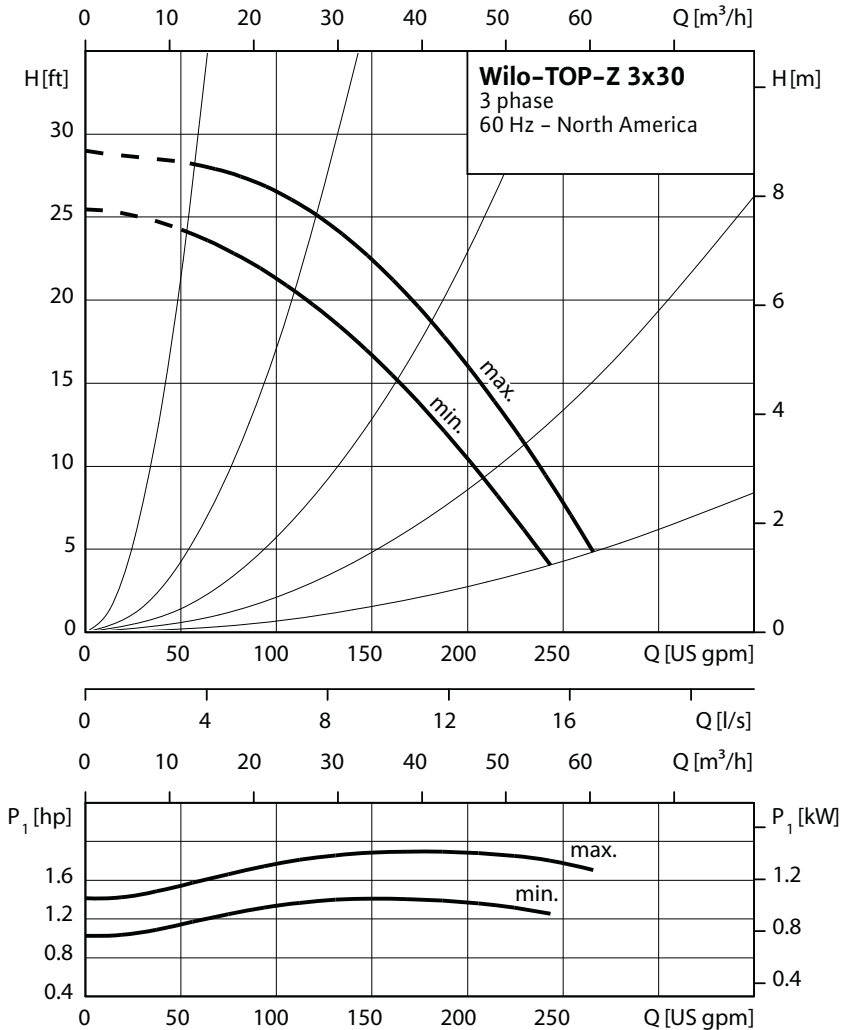
Top Z 3x30 Three Phase



Project:	
Engineer:	
Contractor:	
Submitted By:	Date:
Approved By:	Date:

Tag #	Model #	Flow	Head	Hp	Phase	Volt	Comments
	Top Z 3x30			1½	3		

3~ (three phase motor)



Applications

- Closed System
Temp. Range: 14°F to 176°F (-10°C to 80°C)
- Open System
Temp. Range: 14°F to 140°F (-10°C to 60°C)
- Drinking Water
System Temp. Range: 32°F to 176°F (0°C to 80°C)
Ambient Temp: 32°F to 104°F (0°C to 40°C)
Max Working Press: 145 PSI (10 Bar)
- Fluids: Domestic hot water for secondary and service water systems
Heating Water
Water/Glycol up to 50%

Materials of Construction

- Impeller: Plastic PPE (Noryl)
- Shaft: Stainless Steel (X39 CrMo17-1)
- Volute: Lead-free "eco-bronze"
- Bearing: Carbon (synthetic resin impregnated)



WILO USA LLC
1290 N 25th Ave
Melrose Park, IL 60160
Tel: (866) 945-6872
Fax: (708) 338-9455
www.WILO-USA.com

WILO Canada Inc.
Bay 7-2915 10th Ave. NE
Calgary, Alberta T2A 5L4
Tel: (866) 945-6236
Fax: (403) 277-9456
www.WILO-CANADA.com



NSF/ANSI 61 Certified

WILO Top Z Submittal

Top Z 3x30 Three Phase



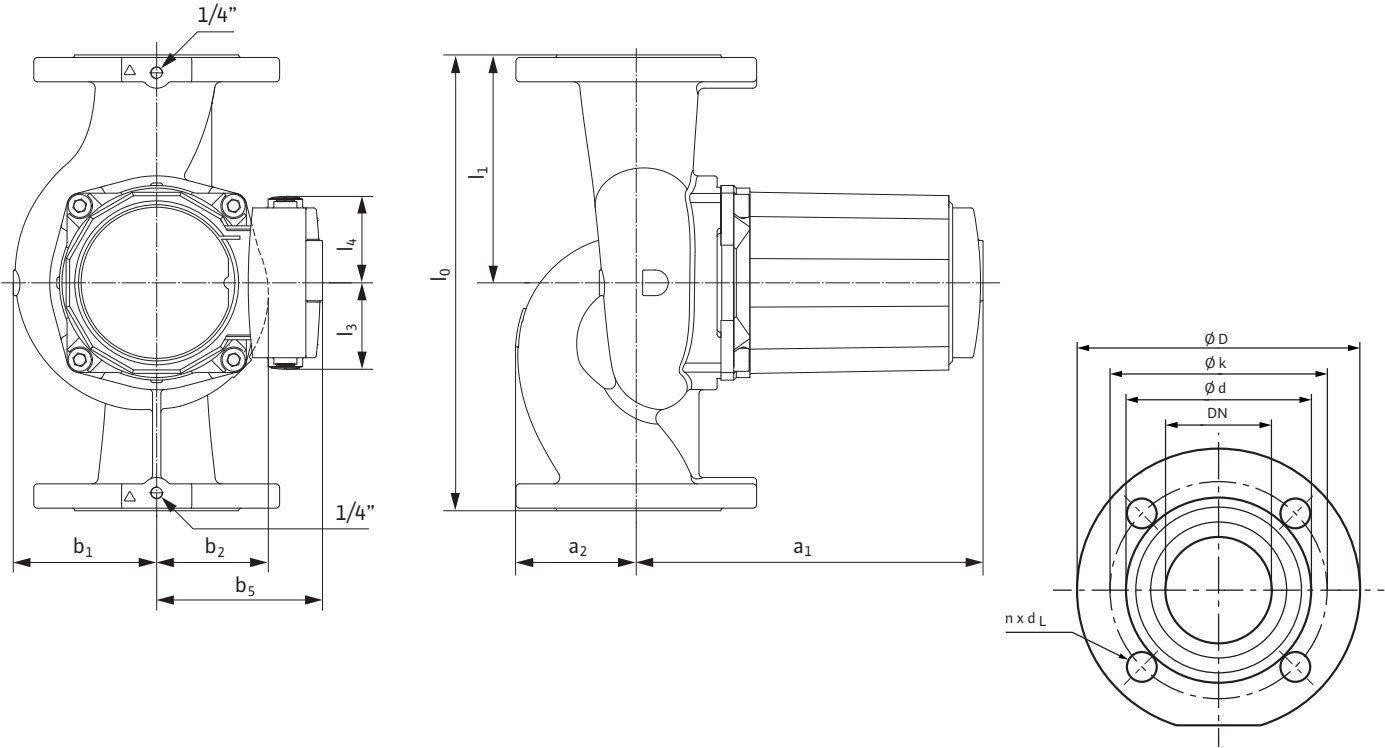
Pumpen Intelligenz.

Dimensions, weights

	Flange Diameter		Pump Dimensions									
	DN		l ₀		a ₁		a ₂		b ₁		b ₂	
	[inch]	[mm]	[inch]	[mm]	[inch]	[mm]	[inch]	[mm]	[inch]	[mm]	[inch]	[mm]
Top Z 3x30	3.0	80	14	356	10¼	261	3¾	95	4 ⁷ / ₁₆	112	3 ⁷ / ₁₆	88

Dimensions, weights (continued)

	Pump Dimensions								Weight approx. net	
	b ₅		l ₁		l ₃		l ₄		[lbs]	[kg]
	[inch]	[mm]	[inch]	[mm]	[inch]	[mm]	[inch]	[mm]		
Top Z 3x30	5⅞	130	7	178	2¾	70	2¾	70	70.8	32.1



Motor Data						
	Speed	Rated Power	Power Consumption	Current		
	[rpm]	[hp]	[W]	208-230/460/575V [A]		
Max Speed	3420	1½	1430	5.0	2.5	2.0
Min Speed	3080	1½	1060	3.2	1.5	1.2

Flange Dimensions					
Non ANSI (round)	Nominal Diameter	Flange Dimensions			
	DN	Ø D	Ø d ₂	Ø k	n x d _L
Inch	3.0	7 ⁹ / ₁₆	5 ¹ / ₁₆	6	4 x ¾
mm	80	192	128	152	4 x 19

WILO USA LLC
 1290 N 25th Ave
 Melrose Park, IL 60160
 Tel: (866) 945-6872
 Fax: (708) 338-9455
www.WILO-USA.com

WILO Canada Inc.
 Bay 7-2915 10th Ave. NE
 Calgary, Alberta T2A 5L4
 Tel: (866) 945-6236
 Fax: (403) 277-9456
www.WILO-CANADA.com